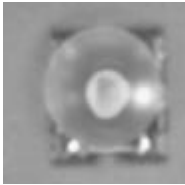


E-Series 2-Way 0° Power Divider 5-1000 MHz

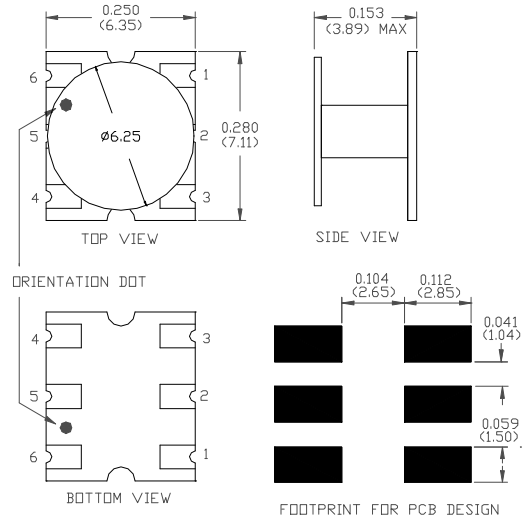


Features

- 2 Way
- 0 Degree
- Surface Mount



SM-127 Package



Description

M/A-COM's MACPES0007 is a 2 Way 0° Power Divider in a low cost, surface mount package. Ideally suited for high volume cellular and wireless and CATV applications. An external 160 Ohm chip resistor is required with this part.

Electrical Specifications @25°C

Parameter	Units	Typical	Minimum	Maximum
Frequency Range	5 - 1000	MHz	—	—
Insertion Loss	5 - 40 MHz	dB	0.6	1.0
	40 - 400 MHz	dB	0.6	0.7
	400 - 500 MHz	dB	0.8	0.7
	500-1000 MHz	dB	0.8	1.0
Isolation	5 - 40 MHz	dB	26	19
	40 - 400 MHz	dB	26	19
	400 - 500 MHz	dB	21	16
	500-1000 MHz	dB	17	10
Amplitude Unbalance	5 - 40 MHz	dB	—	0.6
	40 - 400 MHz	dB	—	0.4
	400 - 500 MHz	dB	—	0.6
	500-1000 MHz	dB	—	0.6
Phase Unbalance	5 - 40 MHz	°	—	3.0°
	40 - 400 MHz	°	—	3.0°
	400 - 500 MHz	°	—	3.0°
	500-1000 MHz	°	—	5.0°
Output Return Loss	5 - 40 MHz	dB	20	14
	40 - 870 MHz	dB	24	16
	40 - 1000 MHz	dB	24	16
Input Return Loss	5 - 40 MHz	dB	20	15
	40 - 870 MHz	dB	22	17
	40 - 1000 MHz	dB	22	16



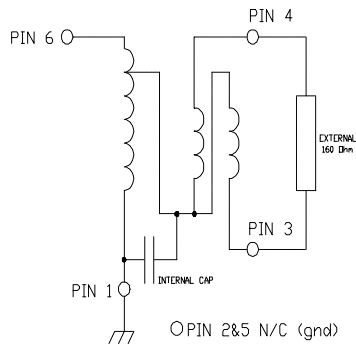
Absolute Maximum Ratings

Parameter	Absolute Maximum
Maximum Power Rating	1 Watt
Internal Load Dissipation	0.125 Watt
Pin Temp (10 Sec)	260°C
Storage Temperature	-55°C to 100°C

Functional Configuration

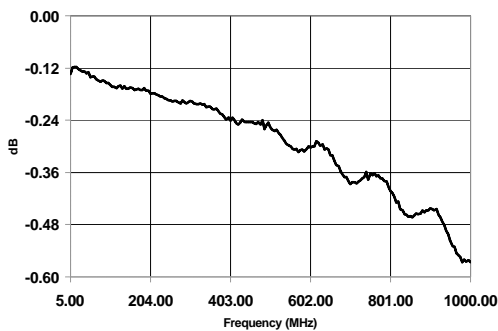
Function	Pin No.
Not Connected	2,5
External 50 Ohms	—
Ground	1
Case Ground	—
Input	6
Port 1	4
Port 2	3

Schematic

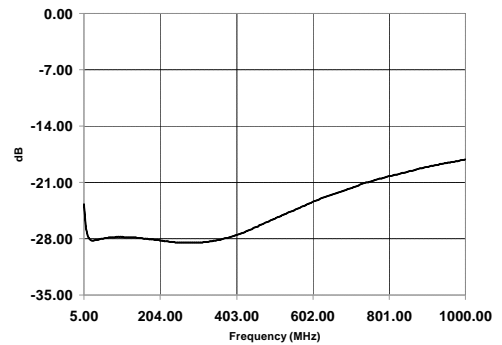


Typical Performance @ +25°C

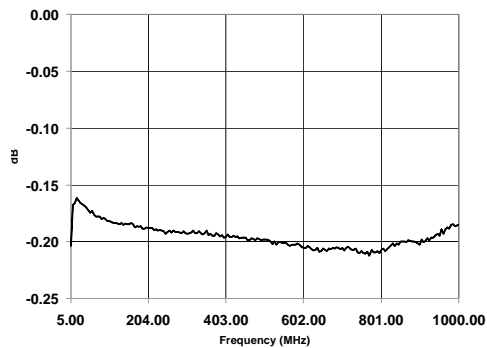
Insertion Loss



Isolation



Amplitude Unbalance



Phase Unbalance

